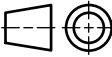


1

2

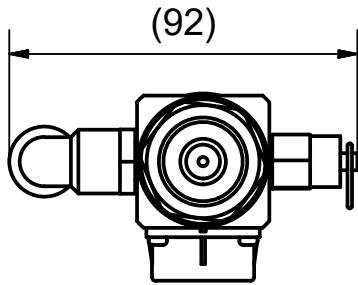
3

4



A

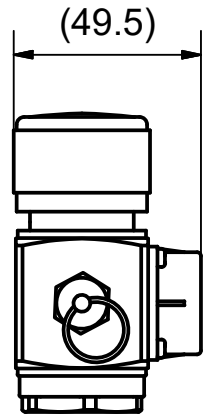
A



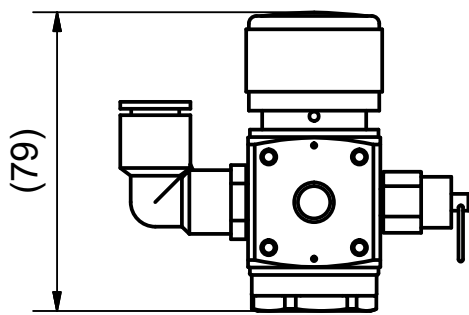
(92)

B

B



(49.5)



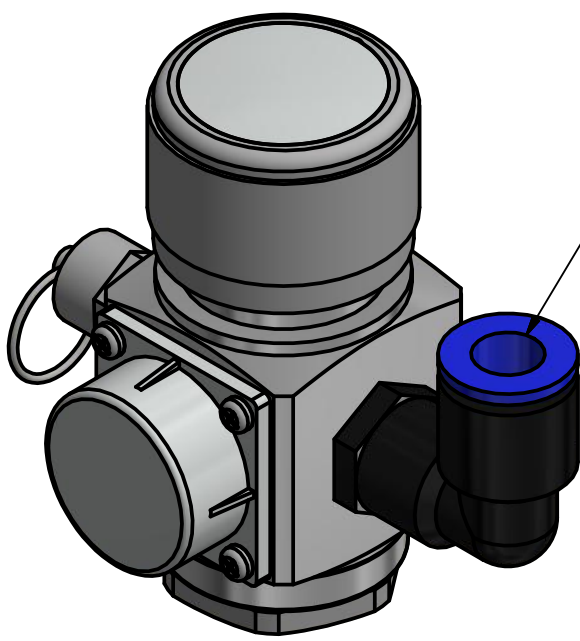
(79)

C

C

D

D



3/8" CO2
tube mount

E

E

F

F



NET WEIGHT 310 g
CREATIONDATE: 10-02-2020

DRW.NO. - REV. 776-470C00

THIS DRAWING IS THE PROPERTY OF MICRO MATIC A/S AND MUST NOT BE USED, DISCLOSED OR REPRODUCED WITHOUT PRIOR WRITTEN AUTHORITY.

FILENAME: C:\VaultWF\Designs\Production\Flexi Draft\Air Bar\776-470.idw

1

2

3

4